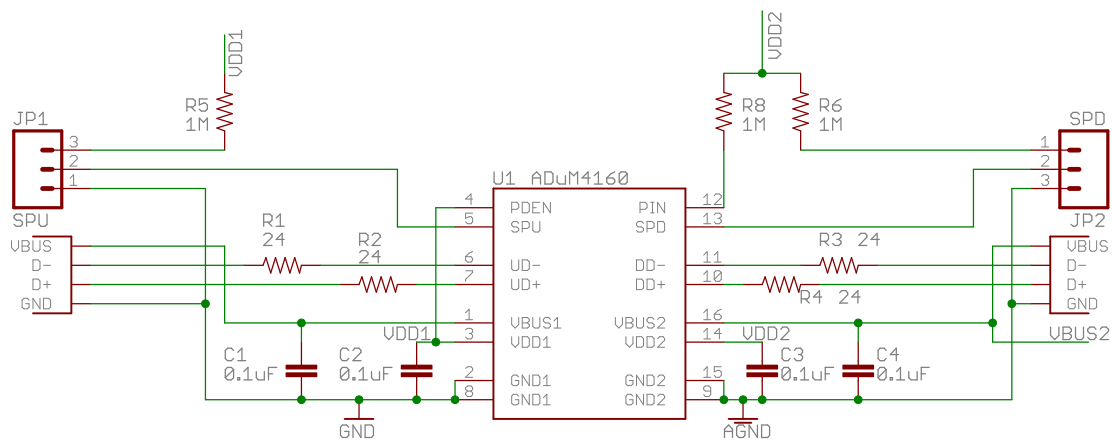


Notes:
 Pull up SPU, SPD
 for USB full speed
 Pull down SPU, SPD
 for USB low speed



Circuits At Home

TITLE: USB_Isolator

Document Number:

REV:

Date: 2/18/2012 7:30:07 PM

Sheet: 1/1